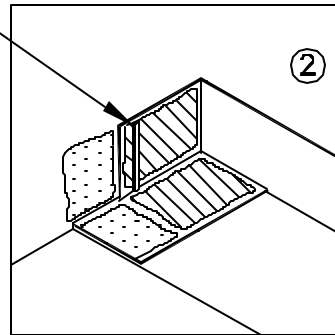


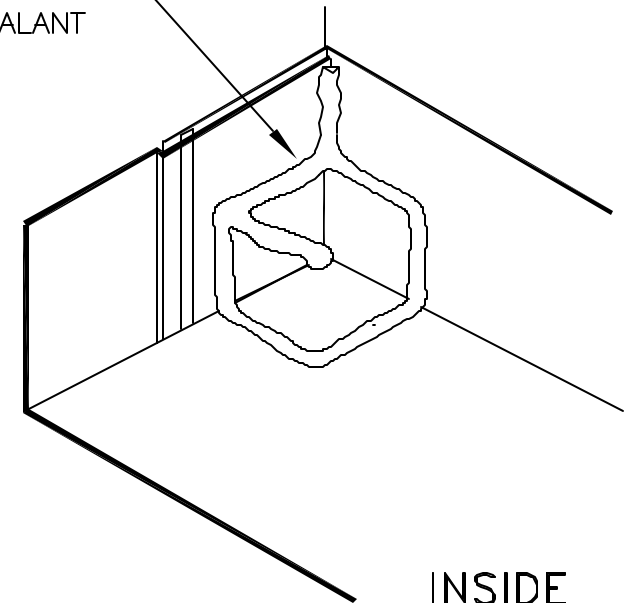
SURE-SEAL
SPlicing CEMENT
WITH IN-SEAM
SEALANT NOTE 2

SURE-SEAL
BONDING ADHESIVE

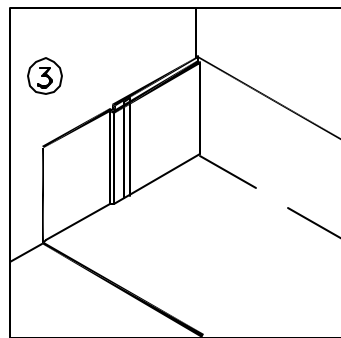
SURE-SEAL
MEMBRANE



SURE-SEAL®
LAP SEALANT



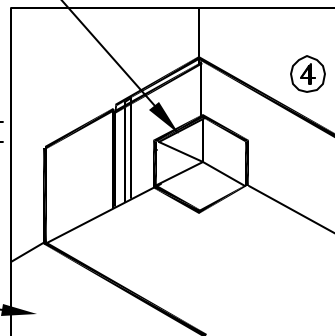
INSIDE
CORNER



12" X 12" MIN
SURE-SEAL

ELASTOFORM®
FLASHING AND
MEMBRANE SPLICE

DECK



NOTES:

1. SEAL ALL EDGES WITH LAP SEALANT.
2. IN-SEAM SEALANT IS REQUIRED ON ALL VERTICAL SPLICES BETWEEN ADJOINING SECTIONS OF CURED MEMBRANE.
3. ALL MEMBRANE SPLICES SHALL BE A MINIMUM OF 6 INCHES WIDE.

B-15A

FIELD FABRICATED CORNER

CARLISLE

© 1996 CARLISLE CORPORATION