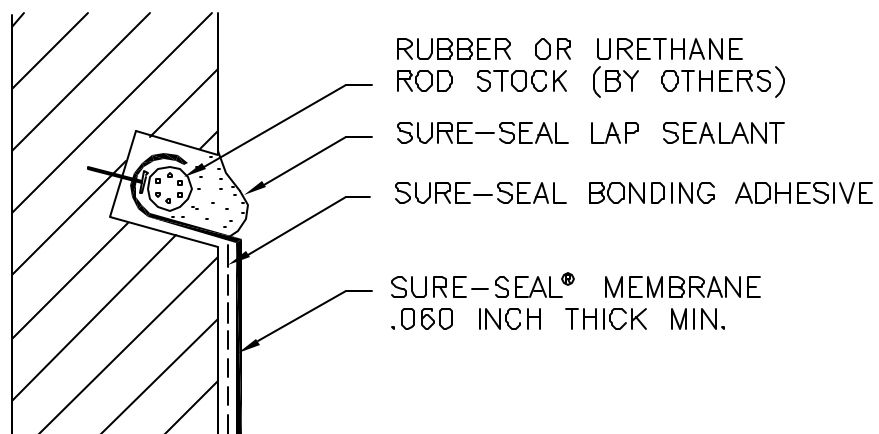
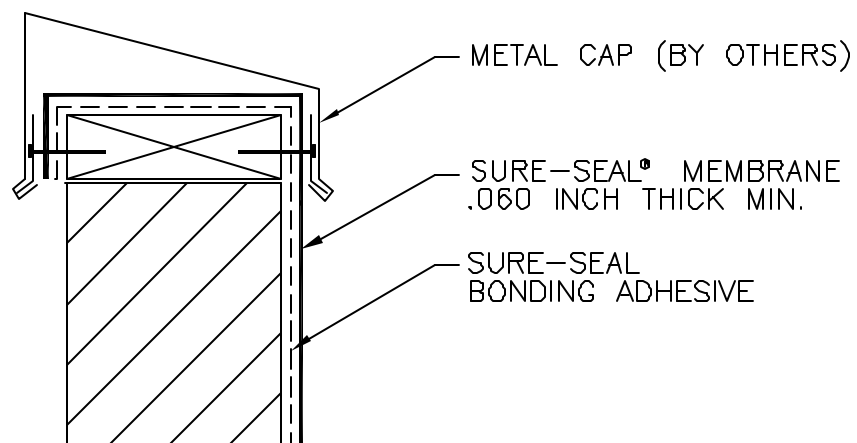


### B-9-A REGLET



### B-9-B CAP FLASHING



#### NOTES:

1. DIAMETER OF ROD STOCK MUST EXCEED WIDTH OF REGLET GAP.
2. MECHANICALLY FASTEN MEMBRANE TO SUBSTRATE 12 INCHES ON CENTER.

B-9AB

VERTICAL TERMINATION

**CARLISLE**

© 1996 CARLISLE CORPORATION