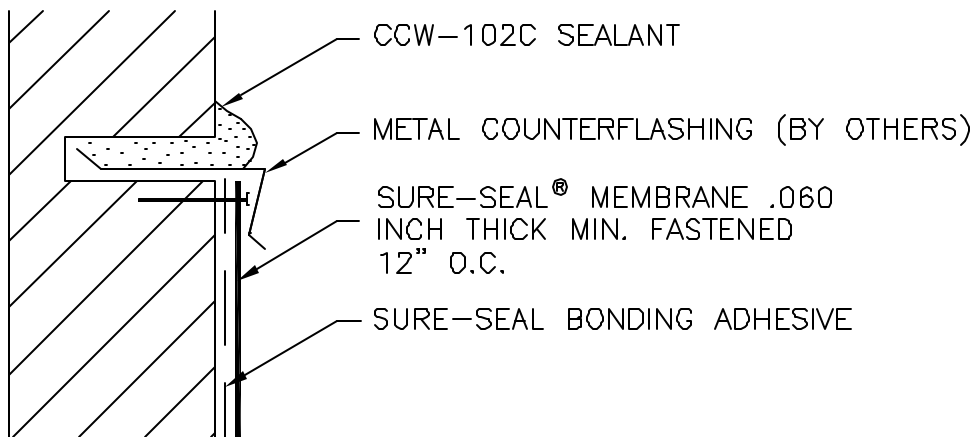


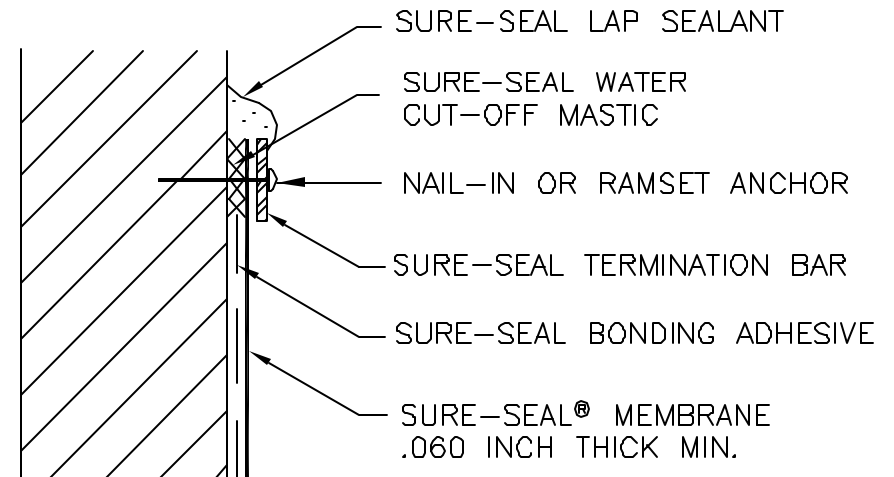
B-9-C COUNTERFLASHING



NOTES:

1. IF FASTENER PENETRATES METAL COUNTERFLASHING, USE NEOPRENE WASHER, APPLY WATER CUT-OFF MASTIC OR CAULK FASTENER HEAD.
2. FASTEN METAL COUNTERFLASHING TO SUBSTRATE 12 INCHES ON CENTER.

B-9-D MECHANICAL



NOTES:

1. APPLY ON HARD SMOOTH SURFACE ONLY; NOT FOR USE ON WOOD.
2. WATER CUT-OFF MASTIC MUST BE HELD UNDER CONSTANT COMPRESSION.

B-9CD

VERTICAL TERMINATION

CARLISLE

© 1996 CARLISLE CORPORATION