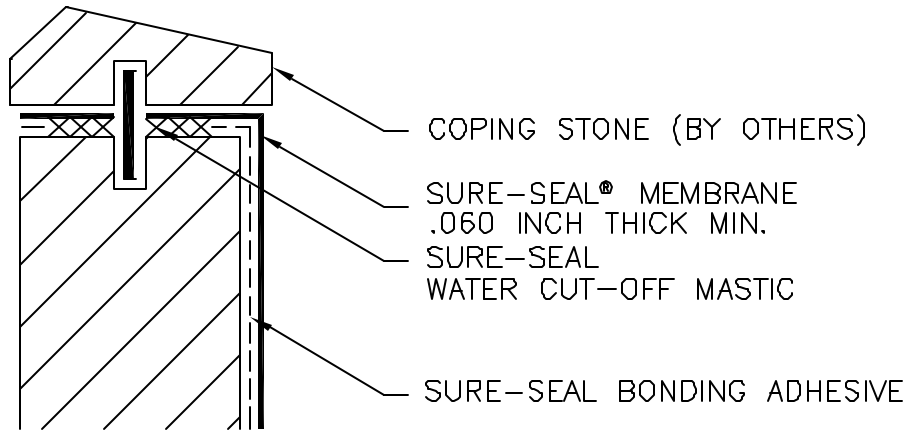
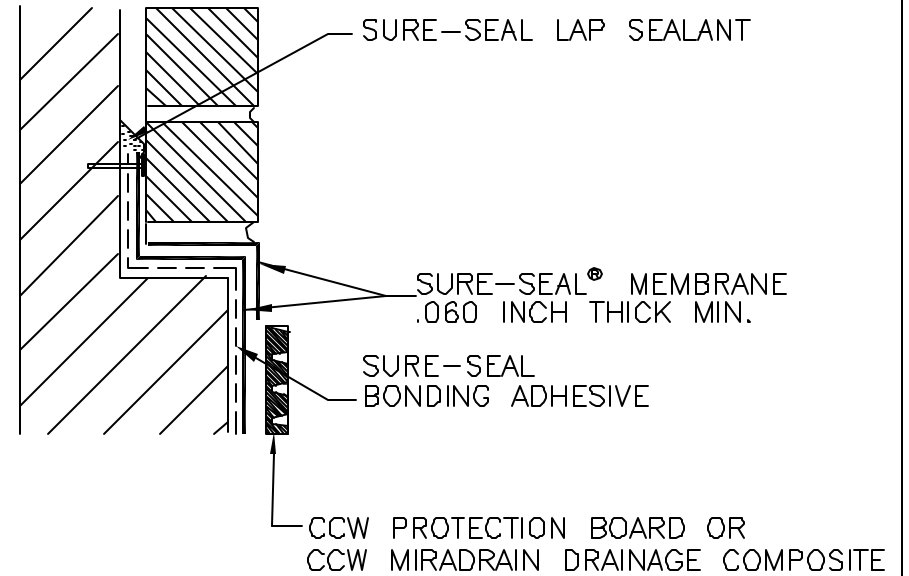


B-9-E COPING STONE



B-9-F THRU-WALL



NOTE:

STOP DRAINAGE COMPOSITE APPROXIMATELY 6 INCHES BELOW FINAL GRADE.

B-9EF

VERTICAL TERMINATIONS

CARLISLE

© 1996 CARLISLE CORPORATION