

COMPLETE WATERPROOFING ONE COMPANY

CCW provides a complete line of waterproofing solutions and the expertise to help you select the one that is best for your project.



CCW Deck Coatings



Barricoat™-S



CCW MiraDRI® 860/86I



CCW MiraCLAY®



CCW MiraDRAIN®



Air & Vapor Barrier Systems



CCW 525



Visit Our Web Site at

www.carlisle-ccw.com

- Updates
- Data Sheets
- Contacts
- Guide Specifications
- Architectural Details
- Technical Bulletins

LIMITED WARRANTY

Carlisle Coatings & Waterproofing, Incorporated (Carlisle) warrants this product to be free of defects in workmanship and materials only at the time of shipment from our factory. If any Carlisle materials prove to contain manufacturing defects that substantially affect their performance, Carlisle will, at its option, replace the materials or refund its purchase price.

This limited warranty is the only warranty extended by Carlisle with respect to its materials. There are no other warranties including the implied warranties of merchantability and fitness for a particular purpose.

Carlisle specifically disclaims liability for any incidental, consequential or other damages including, but not limited to, loss of profits or damages to a structure or its contents arising under any theory of law whatsoever.

The dollar value of Carlisle's liability and buyer's remedy under this limited warranty shall not exceed the purchase price of the Carlisle material in question.

900 Hensley Lane • Wylie TX 75098
800-527-7092 • www.carlisle-ccw.com



Carlisle, Eco-Fast, Barricoat, MiraDRI, MiraCLAY and MiraDRAIN are trademarks of Carlisle. © 2008 Carlisle. 600534 CCW-Barricoat-S 07/09

BARRICOAT-S

Spray Applied Waterproofing Membrane

C A R L I S L E C O A T I N G S & W A T E R P R O O F I N G



800.527.7092 | www.carlisle-ccw.com



BARRICOATS Spray-Applied Waterproofing Membrane

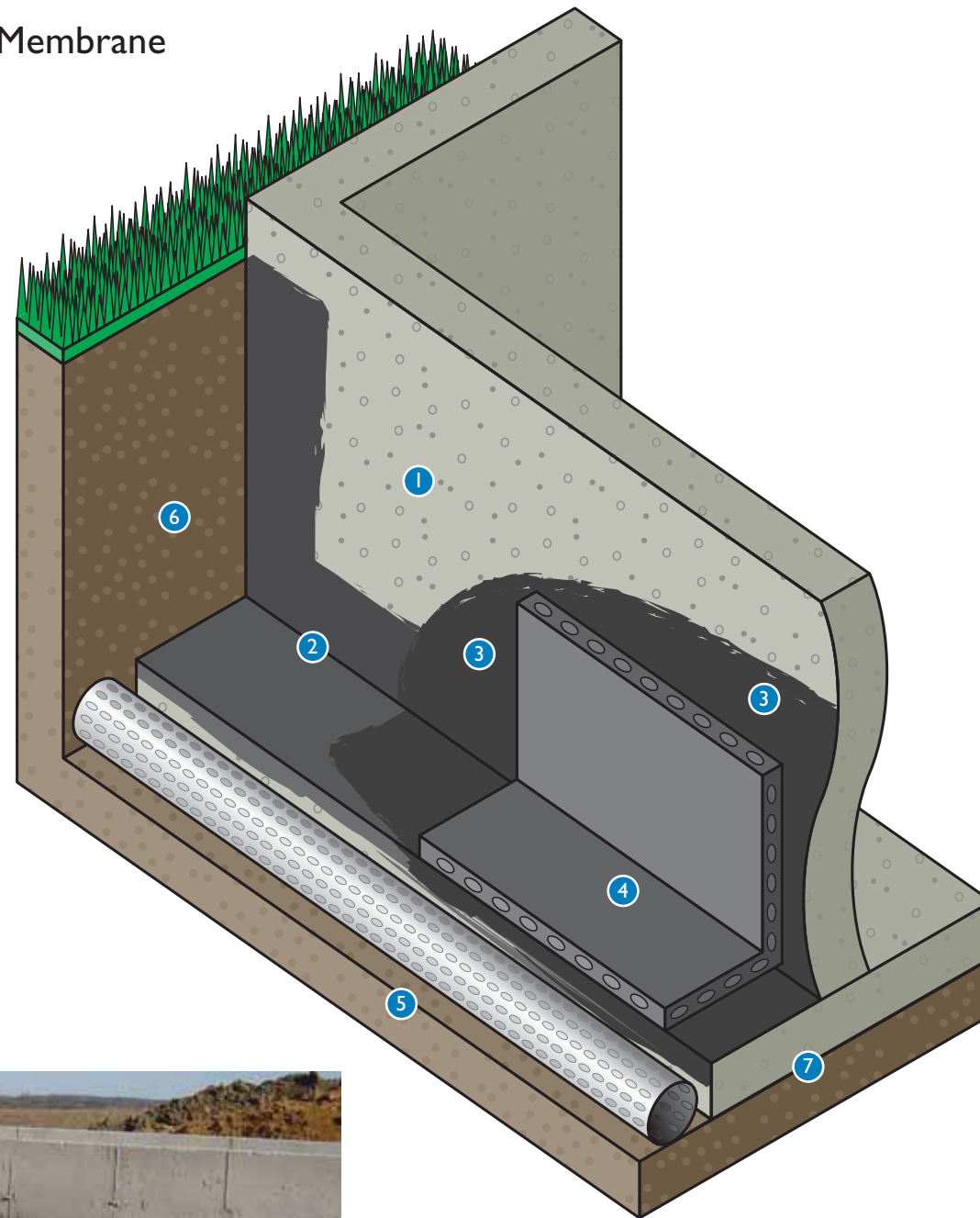
Carlisle Coatings & Waterproofing, Inc. (CCW) provides a broad range of solutions to meet specific waterproofing needs. CCW offers technical services, research & development and manufacturing capabilities from its headquarters in Wylie, Texas and three additional manufacturing facilities in Terrell, TX; Elberton, GA; and Carlisle, PA. The CCW network is further supported by over 50 manufacturer's sales representatives directed by regional sales offices throughout the country. CCW offers a complete line of waterproofing and moisture protection products for the architectural, general construction, industrial and maintenance industries. Carlisle Coatings & Waterproofing, Inc., is part of the SynTec Division of Carlisle Companies, Inc., which is a publicly traded company on the NYSE.

For difficult-to-waterproof below grade substrates, Barricoat-S is the solution. Barricoat-S consists of a water-based modified asphalt emulsion, which is catalyzed to form a seamless, monolithic waterproofing membrane. Perfect for large jobs, Barricoat-S utilizes a convenient spray delivery system that provides a fast application with high mobility which improves overall jobsite efficiency. Barricoat-S can also be applied to green concrete and damp surfaces, which reduces jobsite down time.

Barricoat-S is a water-based asphalt emulsion modified with a blend of synthetic polymers and special additives. Barricoat-S is dispensed in tandem with Barricure, a non-corrosive, chloride-free deliquescent salt solution. Barricoat-S and Barricure are applied through specialized co-spray equipment, which is provided by others and approved by CCW. During spray, Barricoat-S rapidly becomes firm, tack free and water resistant. Product air dries to its final cured state, which is a rubber-like, fully adhered membrane.

As a waterproofing and vapor barrier membrane for use in below-grade foundation wall assemblies, Barricoat-S is for use on primarily vertical surfaces and can be applied directly to concrete, concrete masonry, polystyrene foam insulation board and many other common building materials. Barricoat-S waterproofing and CCW MiraDRAIN drainage composite are combined for a complete, warranted foundation waterproofing system by CCW.

Barricoat-S and Barricure are purchased separately. Note that Barricure is a required system component for the highest possible system performance. Consumption of Barricure is approximately one pail for every three drums of Barricoat-S, or two pails for each tote.



TYPICAL APPLICATION

- 1 Structural Concrete
- 2 Inside/Outside Corner Detailing
- 3 60-mil Barricoat
- 4 CCW MiraDRAIN Drainage Composite or CCW-Protection Board
- 5 CCW QuickDRAIN or Drainage Pipe
- 6 Backfill
- 7 Concrete Footing



ADVANTAGES

- Fast, seamless installation
- Inexpensive, simple equipment
- Effectively coats rough and porous surfaces
- Safe, non flammable and low odor
- Seals around fasteners
- Instant resistance to rain wash-off
- Can be applied year-round
- Can be applied to green concrete

PRODUCTS

Product Name	Description	Available Items
Barricoat-S	Spray-applied waterproofing membrane	P/N 304918: 55-gallon drum filled with 50 gallons of product P/N 305508: 330-gallon tote
Barricure	Chloride-free curing agent for Barriseal-S	P/N 309736: 5-gallon pail

ACCESSORIES

Product Name	Description	Available Items
Barricoat-R	Roller-applied air and vapor barrier	P/N 304919: 5-gallon pail
DCH Reinforcing Fabric	Woven polyester fabric	P/N 304987: 4" X 324' roll P/N 304989: 6" X 324' roll P/N 304990: 12" X 324' roll
MiraDRI 860 Strips	60 mil self-adhering flashing	P/N 305248: 6" X 67' roll, 6 per carton P/N 305249: 9" X 67' roll, 4 per carton P/N 305218: 12" X 67' roll, 3 per carton
MiraDRI 861 Strips	60 mil self-adhering flashing with high-tack adhesive for low-temp installation	P/N 305250: 9" X 67' roll, 4 per carton P/N 305209: 12" X 67' roll, 3 per carton
CCW-702	Solvent-based contact adhesive	P/N 305363: 5-gallon pail
CCW-702 LV	Ozone Transport Commission-compliant solvent-based primer	P/N 316148: 5-gallon pail
CCW-702 WB	Water-based contact adhesive	P/N 315109: 5-gallon pail
CCW-715	Solvent-based contact adhesive for damp concrete	P/N 305349: 5-gallon pail
CAV-GRIP	Aerosol contact adhesive	P/N 305432: Pressurized cylinder filled with 30 lb. of adhesive P/N 304302: 6' hose P/N 304303: 12' hose P/N 304304: 18' hose P/N 304300: Spray gun
MiraDRAIN 6200 XL	Drainage composite for foundation wall applications	P/N 305173: 48" x 50' (200 ft ²) roll
QuickDRAIN	High capacity drainage composite for collecting runoff water at footing	P/N 305181: 16" X 50' (66.67 ft ²) roll
MiraDRAIN HC Connectors	Molded plastic parts to connect QuickDRAIN to storm pipe	P/N 305272: HC 6" End Out connector P/N 305269: HC 12" End Out connector P/N 305273: HC 6" Side Out connector P/N 305270: HC 12" Side Out connector
Protection Board V	1/4" fanfold insulation protection board	P/N 304928: 4' x 50' (200 ft ²) bundle
LM 800 XL	Synthetic rubber, solvent-based mastic	P/N 305261: 29 fl-oz tubes, 12 per carton P/N 305263: 5-gallon pail
CCW-703 V LiquiSEAL	2-part, trowel grade polyurethane sealant	P/N 302086: 2-gal kit, 2 kits per carton P/N 302089: Part A 3 1/2" gallon P/N 302090: Part B 1/2" gallon
CCW-201	2-Part, non-sag polyurethane joint sealant	P/N 304916: 1.5-gallon kit